



Marine Bronze Valve, Marine Cast Iron Valve, Marine Cast Steel Valve, Air Pipe Head, Butterfly Valve, Flange, Strainer  
International Marine Valve Supplier

---

[Home](#)

[About us](#)

[Products](#)

[Service](#)

[Quality](#)

[Contact us](#)

[Sitemap](#)

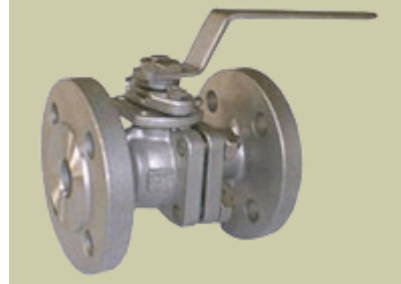
---

[Marine Cast Steel valve](#) >> DIN/JIS/ANSI Stainless Steel Flanged Ball Valve

[Back Out](#)

---

**DIN/JIS/ANSI STAINLESS STEEL FLANGED BALL VALVE**

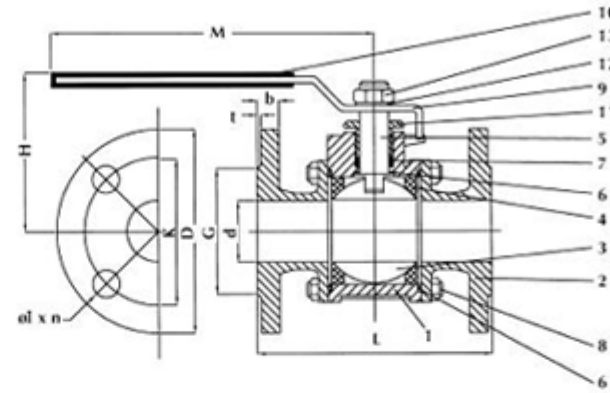


---

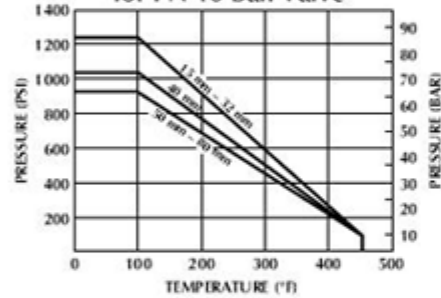
DIN/JIS/ANSI Stainless Steel Flanged Ball Valve Detail

### 3-PIECE STAINLESS STEEL FLANGED BALL VALVES DIN (PN 40) – JIS (40 K) – ANSI (600 PSI)

No.	Part	Material	Qty.
1	Body	WCB 316	1
2	Cap	WCB 316	2
3	Ball	304 316	1
4	Seat	Rein Teflon 15% Gel	2
5	Stem	AISI316	1
6	Thrust Washer	Rein Teflon 15% Gel	1
7	Stem Packing	Teflon	2
8	Bolt Nut	AISI304	4
9	Handle	AISI304	4
10	Plastic Cover	Plastic	1
11	Gland Nut	AISI304	1
12	Stem Washer	AISI304	1
13	Stem Nut	AISI304	1



Pressure Temperature Rating for PN 40 Ball Valve

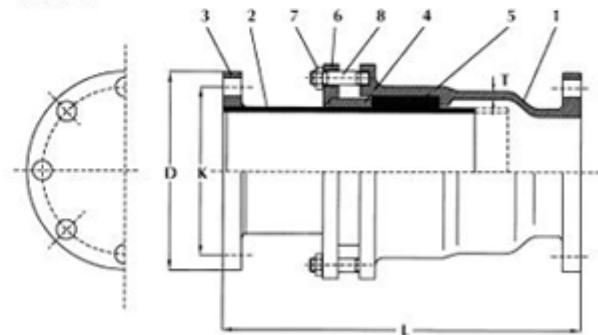


	d	K	G	D	H	M	L	b	t	l/n	CV Factor	Torque N/M	KG
1/2"	15	65	45	95	49	115	130	14	2	14/4	10	4.3	2.1
3/4"	20	75	58	105	52	115	150	16	2	14/4	25	6.5	3.1
1"	25	85	68	115	72	152	160	16	2	14/4	35	10.1	4.1
1-1/4"	32	100	78	140	78	152	180	16	2	18/4	45	15.8	6.0
1-1/2"	40	110	88	150	86	186	200	16	3	18/4	80	18.7	7.4
2"	50	125	102	165	95	186	230	18	3	18/4	110	23.0	10.5
2-1/2"	65	145	122	185	130	234	290	21	3	18/8	310	43.0	16.4
3"	80	160	138	200	142	234	310	21	3	18/8	360	220	24.0

Unit: mm unless noted otherwise

### SLIDE TYPE EXPANSION JOINTS DIN – JIS – ANSI

No.	Description	Material
1	Body	Nodular Iron FCD 45
2	Sleeve	Stainless Steel SUS 304
3	Flange	Steel SS 41
4	Bush	Brass BC 6
5	Packing	Asbestos Free
6	Gland	Steel SS 41
7	Stud Bolt	Stainless Steel SUS 304
8	Nut	Stainless Steel SUS 304



Still and non-shock water of 120°C or less	Steam of 205°C or less	Oil of 120°C or less
Max. working pressure = 14 kg/cm	Max. working pressure = 10 kg/cm	Max working pressure = 10 kg/cm

Size	50	65	80	100	125	150	200	250		
Set Length	368	382	415	415	432	439	450	475		
L (Max. Length)	423	442	475	475	492	499	518	535		
L (Min. Length)	313	322	355	355	372	379	398	415		
	No. of Holes		No. of Holes		No. of Holes		No. of Holes		No. of Holes	
	D	K	D	K	D	K	D	K	D	K

**Marine Cast Steel Valve** Data Download

DIN/JIS/ANSI

Stainless Steel Flanged Ball Valve

[Download](#)

---

Copyright @ HuaAoTe industrial limited company All Rights Reserved.  
Link: JIS Marine Bronze Valve, Marine Cast Iron Valve, Marine Steel Valve, Ship Building Valve