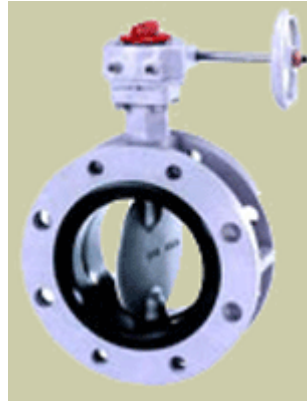


[Marine Butterfly valve](#) >> Flanged pattern Butterfly valve

[Back Out](#)

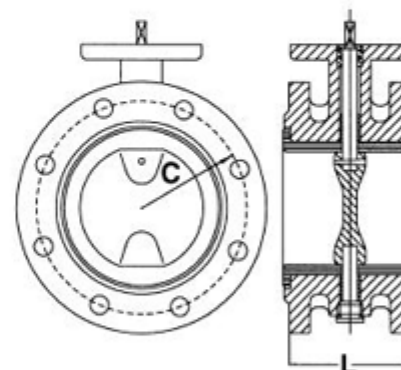
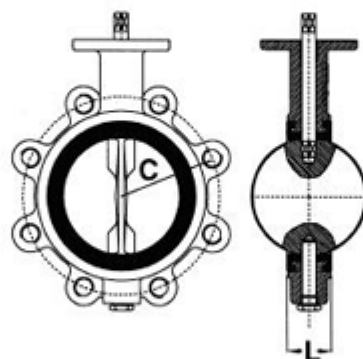
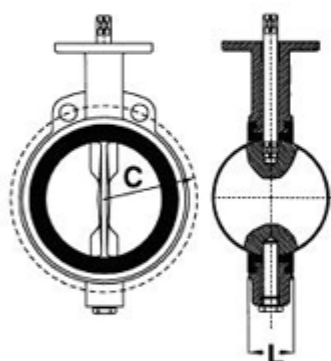
### FLANGED PATTERN BUTTERFLY VALVE



Flanged pattern Butterfly valve Detail

## BUTTERFLY VALVES (Continued)

These ISO valves are available with JIS, DIN, or ANSI flange drilling (see flange drilling chart below).  
Specify when ordering.



**Flange Dimension Chart**

Size	JIS				DIN						ANSI	
	5K		10K		PN6		PN10		PN16		150 Lbs.	
	C	n-h Bolt	C	n-h Bolt	C	n-h Bolt	C	n-h Bolt	C	n-h Bolt	C	n-h Bolt
50	105	4 x 15	120	4 x 19	110	4 x 14	125	4 x 18	125	4 x 18	121	4 x 20
65	130	4 x 15	140	4 x 19	130	4 x 14	145	4 x 18	145	4 x 18	140	4 x 20
80	145	4 x 19	150	8 x 19	150	4 x 18	160	8 x 18	160	8 x 18	152	8 x 20
100	165	8 x 19	175	8 x 19	170	4 x 18	180	8 x 18	180	8 x 18	190	8 x 20
125	200	8 x 19	210	8 x 23	200	8 x 18	210	8 x 18	210	8 x 18	216	8 x 23
150	230	8 x 19	240	8 x 23	225	8 x 18	240	8 x 22	240	8 x 22	241	8 x 23
200	280	8 x 23	290	12 x 23	280	8 x 18	295	8 x 22	295	12 x 22	298	8 x 23
250	345	12 x 23	355	12 x 25	335	12 x 18	350	12 x 22	355	12 x 26	362	12 x 26
300	390	12 x 23	400	16 x 25	395	12 x 22	400	12 x 22	410	12 x 26	431	12 x 26

**Marine Butterfly Valve** Data Download

HuaAoTebv03

Flanged pattern Butterfly valve

[Download](#)

---

Copyright @ HuaAoTe industrial limited company All Rights Reserved.  
Link: JIS Marine Bronze Valve,Marine Cast Iron Valve,Marine Steel Valve,Ship Building Valve