



Marine Bronze Valve, Marine Cast Iron Valve, Marine Cast Steel Valve, Air Pipe Head, Butterfly Valve, Flange, Strainer
International Marine Valve Supplier

[Home](#)

[About us](#)

[Products](#)

[Service](#)

[Quality](#)

[Contact us](#)

[Sitemap](#)

[Marine Cast Steel valve](#) >> DIN PN10 Cast Steel Storm Valve

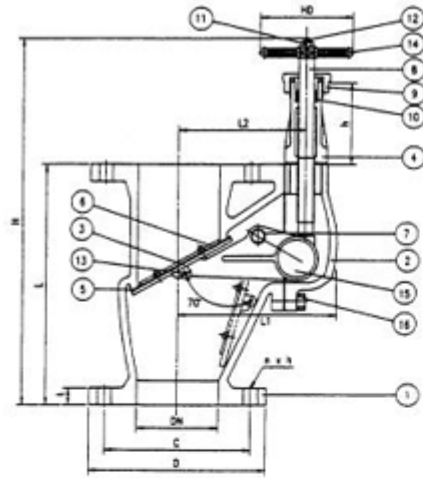
[Back Out](#)

DIN PN10 CAST STEEL STORM VALVE



DIN PN10 Cast Steel Storm Valve Detail

DIN VALVES



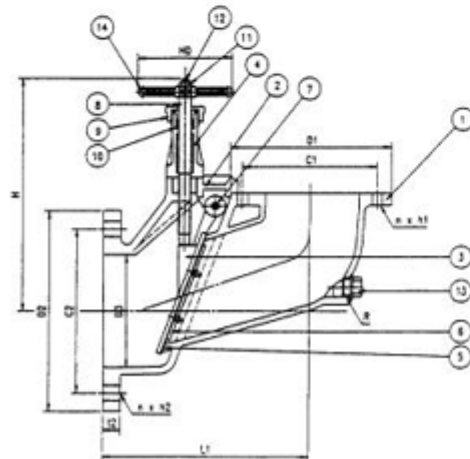
PN10 DIN VERTICAL STORM VALVE

Nominal Pressure: 1 kp/cm²

Test Pressure: 5 kp/cm²

No.	Part	Material	No.	Part	Material
1	Body	SC49	9	Packing Gland	Brass
2	Cover	SC49	10	Packing	ABS
3	Disc	BC6	11	Nut	Brass
4	Bushing	BC6	12	Split Pin	Brass
5	Seal	NBR	13	Pin	Brass
6	Plate	Brass	14	Handle	FC20
7	Plug	Brass	15	Weight	Lead
8	Stem	Brass	16	Bolt & Nut	Brass

DN	L	D	C	n x h	L	H	L1	L2	h	s ^o	HD
50	18	165	125	4 x 18	200	356	137	110	95	10	100
65	18	185	145	4 x 18	240	396	148	120	95	10	100
80	20	200	160	8 x 18	260	450	174	140	95	10	100
100	20	220	180	8 x 18	300	490	195	155	95	10	100
125	22	250	210	8 x 18	350	572	216	175	95	10	125
150	22	285	240	8 x 22	400	622	242	195	95	10	125



PN10 DIN ANGLE STORM VALVE

Nominal Pressure: 1 kp/cm²

Test Pressure: 5 kp/cm²

No.	Part	Material	No.	Part	Material
1	Body	SC49	8	Stem	Brass
2	Cover	SC49	9	Packing Gland	Brass
3	Disc	BC6	10	Packing	ABS
4	Bushing	BC6	11	Nut	Brass
5	Seal	NBR	12	Split Pin	Brass
6	Plate	Brass	13	Drain Plug	Brass
7	Plug	Brass	14	Handle	FC20

DN	L1	L2	D1	D2	D3	C1	n x h1	C2	n x h2	L1	R	H	H2	s ^o	HD
50	13	14	165	200	68	125	4 x 18	160	8 x 18	180	R ^{1/2} "	333	90	10	100

Marine Cast Steel Valve Data Download

DIN PN10

Cast Steel Storm Valve

[Download](#)

Copyright @ HuaAoTe industrial limited company All Rights Reserved.
Link: JIS Marine Bronze Valve, Marine Cast Iron Valve, Marine Steel Valve, Ship Building Valve