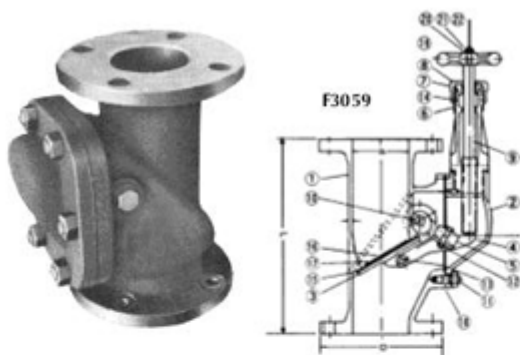


JISF3059/3060 CAST STEEL STORM VALVE



JISF3059/3060 Cast Steel Storm Valve Detail

CAST STEEL VERTICAL AND ANGLE STORM VALVES With Locking Device — Flanged Ends

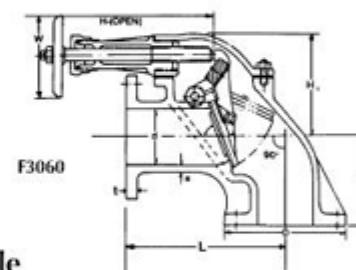


JIS F3059 – 5 kgf/cm² Straight

Size	d	L	L ₁	D	t	a	H	H ₁	W	Weight
50	50	210	—	130	14	8	131	328	100	11.5
65	65	240	—	155	14	9	141	335	100	16.5
80	80	260	—	180	14	9	155	335	125	21.6
100	100	280	—	200	16	10	171	340	125	29.6
125	125	330	—	235	16	11	195	340	125	43.6
150	150	360	—	265	18	12	212	345	125	51.6

Unit: mm

No.	Parts	Material
1	Body	Cast steel
2	Bonnet	Cast steel
3	Disc	Bronze
4	Disc lever	Bronze
5	Weight	Lead
6	Bushing	Bronze
7	Nut	Bronze
8	Gland	Bronze
9	Spindle	Brass
10	Plug	Brass
11	Stud bolt & nut	Brass
12	Screw & nut	Brass
13	Pin	Brass
14	Packing	Asbestos
15	Packing	Neoprene
16	Plate	Bronze or brass plate
17	Screw & nut	Brass
18	Gasket	Asbestos
19	Hand wheel	Cast iron
20	Name plate	Brass
21	Handle nut	Brass
22	Split pin	Brass wire



JIS F3060 – 5 kgf/cm² Angle

Size	d	L	L ₁	D	t	a	H	H ₁	W	Weight
50	50	170	90	130	14	8	131	328	100	13.0
65	65	200	100	155	14	9	141	335	100	19.0
80	80	220	120	180	14	9	155	335	125	23.8
100	100	250	130	200	16	10	171	340	125	29.6
125	125	270	150	235	16	11	195	340	125	50.0
150	150	310	165	265	18	12	212	345	125	67.0

Unit: mm

Marine Cast Steel Valve Data Download

JISF3059/3060

Cast Steel Storm Valve

[Download](#)

Copyright © HuaAoTe industrial limited company All Rights Reserved.
Link: JIS Marine Bronze Valve, Marine Cast Iron Valve, Marine Steel Valve, Ship Building Valve