



Marine Bronze Valve, Marine Cast Iron Valve, Marine Cast Steel Valve, Air Pipe Head, Butterfly Valve, Flange, Strainer
International Marine Valve Supplier

[Home](#)

[About us](#)

[Products](#)

[Service](#)

[Quality](#)

[Contact us](#)

[Sitemap](#)

[Marine Cast Iron valve](#) >> JISF7372/7373 Cast Iron Swing check Valve 5K/10K

[Back Out](#)

JISF7372/7373 CAST IRON SWING CHECK VALVE 5K/10K

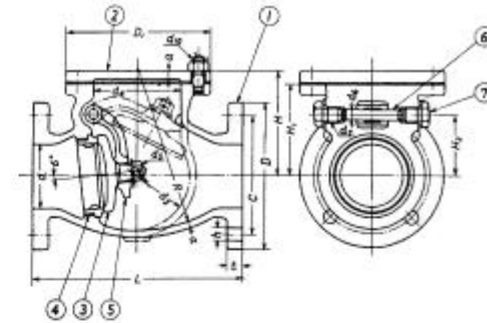


JISF7372/7373 Cast Iron Swing check Valve 5K/10K Detail

JIS F7372 – 5 kgf/cm² JIS F7373 – 10 kgf/cm²

Size	d	L	D	C	No.	h	Bolt	t	H	a	D ₁	d ₆	d ₇	(kg)
50	50	190 (210)	130 (155)	105 (120)	4 (4)	15 (19)	M12 (M16)	16 (20)	97 (109)	8 (10)	135 (150)	9	M12 x 1.25	9.06 (13.6)
65	65	220 (240)	155 (175)	130 (140)	4 (4)	15 (19)	M12 (M16)	18 (22)	119 (126)	9 (11)	155 (170)	11	M16 x 1.5	13.9 (19.6)
80	80	250 (270)	180 (185)	145 (150)	4 (8)	19 (19)	M16 (M16)	18 (22)	129 (136)	9 (11)	185 (185)	12	M16 x 1.5	19.1 (22.6)
100	100	280 (300)	200 (210)	165 (175)	8 (8)	19 (19)	M16 (M16)	20 (24)	146 (153)	10 (12)	205 (205)	14	M20 x 1.5	27.1 (30.9)
125	125	330 (350)	235 (250)	200 (210)	8 (8)	19 (23)	M16 (M20)	20 (24)	171 (180)	11 (13)	235 (250)	17	M20 x 1.5	39.0 (49.2)
150	150	380 (400)	265 (280)	230 (240)	8 (8)	19 (23)	M16 (M20)	22 (26)	198 (205)	12 (14)	265 (275)	20	M24 x 2	53.7 (54.9)
200	200	460 (480)	320 (330)	280 (290)	8 (12)	23 (23)	M20 (M20)	24 (26)	235 (242)	15 (17)	330 (330)	24	M30 x 2	94.4 (103)
250	250	550 (—)	385 (—)	345 (—)	12 (—)	23 (—)	M20 (M—)	26 (—)	290 (—)	16 (—)	390 (—)	28	M36 x 2 (—)	150 (—)

Unit: mm; () = 10kgf/cm² Dimension



Product Introduction

The above valve is made completely according to the standard of JIS F7372/7373. And the flanges conform to nominal pressure 5K/10K of JIS B2210. It's inspection and testing also completely conform to the standard of JIS F7400.

Technical Data

Test pressure Mpa	
Seal Mpa	0.77 to 0.4/1.54 to 0.4
Intensity Mpa	1.05/2.1
Maximum working pressure Mpa	
oil and pulsation water	0.5/1.0
Non_shock Water of 120°C or less	0.7/1.4

Materials of Main Parts

Parts	Material		
	name	grads	standard No.
Body	Cast iron	HT200	GB12226
Cover			
Disc			
Seat ring	cast bronze	ZcuSn5 Pb5Zn5	GB12225
Rocking			

Marine Cast Iron Valve Data Download

JISF7372/7373

Cast Iron Swing check Valve 5K/10K

[Download](#)

Copyright © HuaAoTe industrial limited company All Rights Reserved.
Link: JIS Marine Bronze Valve, Marine Cast Iron Valve, Marine Steel Valve, Ship Building Valve