

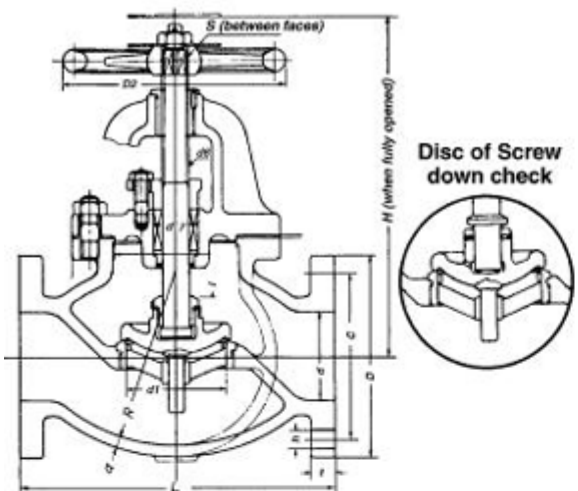
[Marine Cast Iron valve >> JISF7309/7377 Cast Iron Globe,SDNR Valve 16K](#)

[Back Out](#)

**JISF7309/7377 CAST IRON GLOBE,SDNR VALVE 16K**



JISF7309/7377 Cast Iron Globe,SDNR Valve 16K Detail



### JIS F7309 – 16 kgf/cm<sup>2</sup> Cast Iron Globe Valves

### JIS F7377 – 16 kgf/cm<sup>2</sup> Cast Iron Screw-Down Check Globe Valves

Size	d	d <sub>1</sub>	L	D	C	No.	h	Bolt	t	H	I	D <sub>2</sub>	a	d <sub>6</sub>	d <sub>7</sub>	(kg)
50	50	58	220	155	120	8	19	M16	20	285	17 (15)	160	10	TW22	36	19.6
65	65	73	270	175	140	8	19	M16	22	310	22 (17)	200	11	TW24	38	28.3
80	80	88	300	200	160	8	23	M20	24	340	27 (20)	224	12	TW26	42	40.4
100	100	111	350	225	185	8	23	M20	26	385	33 (25)	250	13	TW30	48	56.9
125	125	138	430	270	225	8	25	M22	26	455	42 (31)	315	15	TW36	56	89.5
150	150	163	500	305	260	12	25	M22	28	510	50 (37)	355	16	TW42	66	123
200	200	213	570	350	305	12	25	M22	30	630	67 (—)	450	19	TW48	74	188

Unit: mm

( ) Lift of Check Valves

#### Product Introduction

The above valve is made completely according to the standard of JIS F7309/JIS F7377. And the flanges conform to nominal pressure 16K of JIS B2210. Its inspection and testing also completely conform to the standard of JIS F7400.

#### Technical Data

Test pressure Mpa	
Nominal diameter	1.6
Seal Mpa	2.42
Intensity Mpa	3.3
Maximum working pressure Mpa	
Nominal diameter/diameter	1.6
Fluid Condition	Steam of 230°C or less
	Steam of 205°C or less
	air and gas
	oil and pulsation water
	Non-shock Water of 120°C or less

#### Materials of Main Parts

Part	Material		
	name	grade	standard No.
Body	Cast iron	HT200	GB12226
Cover			
Disc	cast bronze	ZcuSn5 Pb5Zn5	GB12225
Seat ring			
Yoke bushing			
Stem	brass	Hpb 59-1	GB5232

**Marine Cast Iron Valve** Data Download

JISF7309/7377

Cast Iron Globe,SDNR Valve 16K

[Download](#)

---

Copyright @ HuaAoTe industrial limited company All Rights Reserved.  
Link: JIS Marine Bronze Valve,Marine Cast Iron Valve,Marine Steel Valve,Ship Building Valve