



Marine Bronze Valve, Marine Cast Iron Valve, Marine Cast Steel Valve, Air Pipe Head, Butterfly Valve, Flange, Strainer  
International Marine Valve Supplier

---

[Home](#)

[About us](#)

[Products](#)

[Service](#)

[Quality](#)

[Contact us](#)

[Sitemap](#)

---

**Marine Cast Iron valve >>** [JISF7333A/B Cast Iron Globe & Angle Hose Valve](#)

**[Back Out](#)**

---

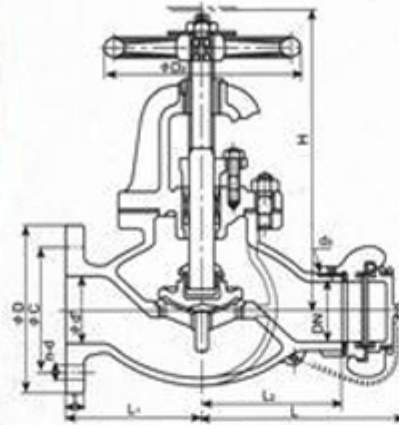
### JISF7333A/B CAST IRON GLOBE & ANGLE HOSE VALVE



---

JISF7333A/B Cast Iron Globe & Angle Hose Valve Detail

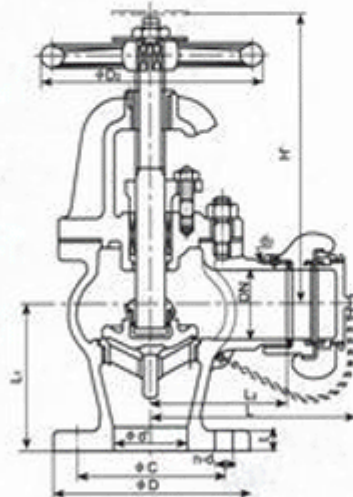




### MAIN DATA FOR JOINING(mm)

DN	K	d'	L	D	C	n-d	t	H	D <sub>2</sub>	d <sub>3</sub>	L <sub>1</sub>	L <sub>2</sub>	Weight (kg)
50	5	50	165	130	105	4-15	16	270	160	M64X2	105	110	14.7
	10	50	170	155	120	4-19	20	285	160	M64X2	110	115	18.9
65	10	65	200	175	140	4-19	22	310	200	M80X2	135	140	28.2

Marine Cast Iron Globe Hose Valves JIS F7333 5K



### MAIN DATA FOR JOINING(mm)

DN	K	d'	L	D	C	n-d	t	H	D <sub>2</sub>	d <sub>3</sub>	L <sub>1</sub>	L <sub>2</sub>	Weight (kg)
50	5	50	155	130	105	4-15	16	255	160	M64X2	100	110	12.8
	10	50	170	155	120	4-19	20	255	160	M64X2	120	115	17.0
65	10	65	185	175	140	4-19	22	270	200	M80X2	130	125	24.3

Marine Cast Iron Angle Hose Valves JIS F7333 5K/10K

#### Applicable scope:

The products are used for fire controlling with seawater for shipping. Dimensions of flange are according to JIS B2220 flange dimensions of steel pipe.

#### Materials of major parts:

Part name	Material			
	Name	Mark (B)	Name	Mark (B)
Body, Bonnet	CI/DI	HT200.QT400-15	CI/DI	HT200.QT400-15
Disc, Seat	Cast bronze	ZCuSn5Pb5Zn5	Stainless steel	2cr13
Stem	Bronze	QA1 9-2	Stainless steel	2cr13

**Marine Cast Iron Valve** Data Download

JISF7333A/B

Cast Iron Globe & Angle Hose Valve

[Download](#)

---

Copyright © HuaAoTe industrial limited company All Rights Reserved.  
Link: JIS Marine Bronze Valve, Marine Cast Iron Valve, Marine Steel Valve, Ship Building Valve