



Marine Bronze Valve, Marine Cast Iron Valve, Marine Cast Steel Valve, Air Pipe Head, Butterfly Valve, Flange, Strainer
International Marine Valve Supplier

[Home](#)

[About us](#)

[Products](#)

[Service](#)

[Quality](#)

[Contact us](#)

[Sitemap](#)

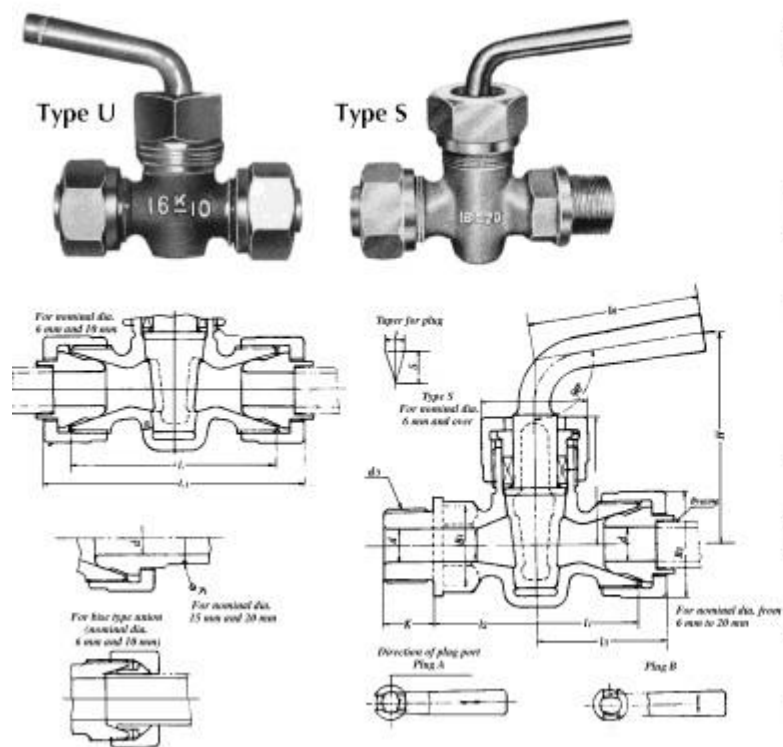
[Marine Bronze valve >> JISF7387 Cast Bronze Cocks 16K](#)

[Back Out](#)

JISF7387 CAST BRONZE COCKS 16K



JISF7387 Cast Bronze Cocks 16K Detail



F7387 BRONZE COCKS – 16 kgf/cm²

Type S

Nom. dia.	Pipe out. dia.		d	l ₁	l ₂	l ₃	d ₃	K	H	l ₄	B ₁	B ₂
	Copper	Steel										
6	8 & 10	10.5	6	28	28	37	M20 x 1.5	12	65	55	22	30
10	15	17.3	10	40	35	52	M24 x 2	16	73	65	27	41
15	20	21.7	15	45	45	58	M30 x 2	22	92	75	36	46
20	25	27.2	20	50	50	65	M36 x 2	24	104	85	41	50

Type U

Nom. dia.	Pipe out. dia.		d	L	L ₁	H	l ₄	a	d ₄	H ₃	B ₂	B ₃
	Copper	Steel										
6	8 & 10	10.5	6	56	74	65	55	3	M24 x 2	36	30	32
10	15	17.3	10	80	104	73	65	4	M30 x 2	44	41	36

Marine Bronze Valve Data Download

JISF7387

Cast Bronze Cocks 16K

[Download](#)

Copyright © HuaAoTe industrial limited company All Rights Reserved.
 Link: JIS Marine Bronze Valve, Marine Cast Iron Valve, Marine Steel Valve, Ship Building Valve