



Marine Bronze Valve, Marine Cast Iron Valve, Marine Cast Steel Valve, Air Pipe Head, Butterfly Valve, Flange, Strainer
International Marine Valve Supplier

[Home](#)

[About us](#)

[Products](#)

[Service](#)

[Quality](#)

[Contact us](#)

[Sitemap](#)

[Marine Air pipe head >> 53-ON Air pipe head](#)

[Back Out](#)

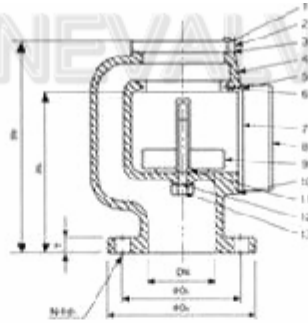
53-ON AIR PIPE HEAD



53-ON Air pipe head Detail



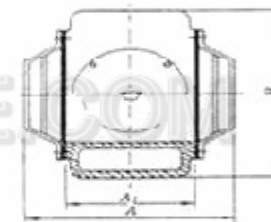
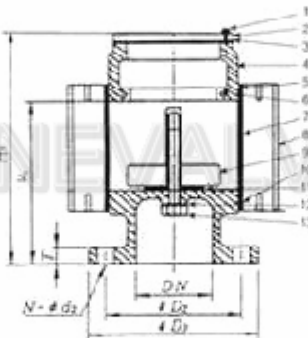
JIS-KS91A-121 DN50-DN80



53ON DN50-DN200



JIS-KS91A-121 DN100-DN450



MAIN DATA FOR JOINING(mm)

Dimensions (mm)										Weight (kg)
DN	D ₂	D ₃	H ₁	H ₂	T	N	A	A ₁	R	
50	105	130	175	127	14	4-∅15	179	139	135	7.4
65	130	155	204	154	14	4-∅15	205	160	146	12.6
80	145	180	244	176	14	4-∅15	237	188	156	16
100	165	200	220	190	16	8-∅19	245	155	250	23
125	200	235	250	190	16	8-∅19	270	180	288	34

Item	Name	Materials
1	Hex Bolt	STS304
2	Cover	SS 400
3	Asbestos Cushion	Asbestos
4	Body	FC 200, FCD 450
5	Hex Bolt	STS 304
6	Rubber Ring	NBR
7	Flite	STS 304
8	Screen Cover	SS 400
9	Stainless Float	STS 316
10	Hex Bolt	STS 304

Marine Air pipe head Data Download

53-ON

Air pipe head

[Download](#)

Copyright © HuaAoTe industrial limited company All Rights Reserved.
Link: [JIS Marine Bronze Valve](#), [Marine Cast Iron Valve](#), [Marine Steel Valve](#), [Ship Building Valve](#)